

# NEW

# LACLUSIENNE CLUFIX

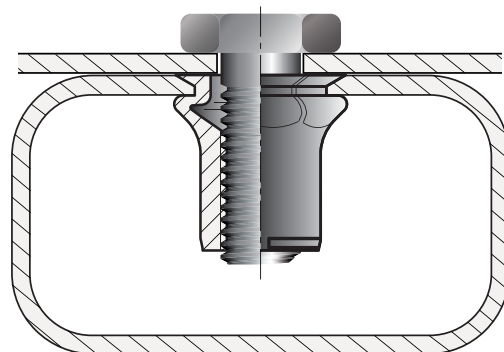
## Self-locking CLUFIX® FR a new fastening solution

The only self-locking blind rivet nut

CLUFIX® Self-locking is the only solution to combine the easy installation of a CLUFIX® blind rivet nut with the performance of a self-locking nut.

### Key advantages:

- Installation using portable tools, enabling crimping on large assemblies
- The combination of blind crimping, riveting and re-usable self-locking
- The hexagonal body guarantees very high torque resistance
- Fast, simple installation process – no special skills required
- Re-tapping is eliminated because installation follows painting of the workpiece
- Can be used on all materials



### Product Range:

Flush-head and flange head  
Open hexagonal body  
M5 to M8, steel and stainless steel  
(others on demand)



FASTENING SOLUTIONS

LA CLUSIENNE CLUFIX - 313 rue Louis Armand  
BP 220 - Z.I. des grands prés - 74304 Cluses Cedex

Tel : +33 (0)4 50 98 13 13  
Fax : +33 (0)4 50 98 28 89  
Email : commercial@clufix.com

[www.laclusienne.com](http://www.laclusienne.com)